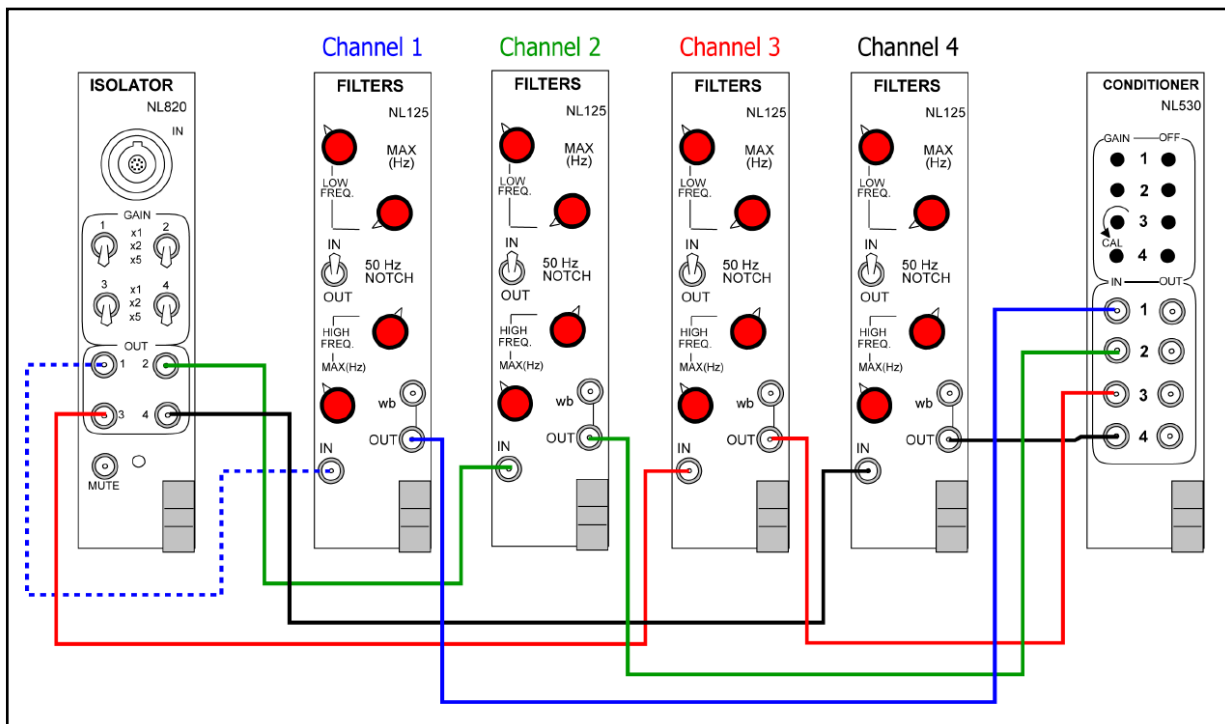


## Connection of Four NL125/6 Filters between NL820 Isolator and NL530 Conditioner

### Overview

Users of the NeuroLog **NL820 ISOLATOR** usually require some form of data filtering prior to acquisition. If the filter parameters required are the same for each channel, then our range of four channel filters (NL134/5/6 and NL143/4) are ideal (see Application Note 4). However, some users may find the need to apply different filter settings to the various signals of interest. The illustration



below shows how this can be accomplished by using four of our single channel **NL125 FILTERS**. Using this arrangement it is possible to individually set the low-cut, high-cut and notch (in/out) settings for each channel. The four filtered signals can be fed into the **NL530 CONDITIONER** for any final gain adjustments prior to acquisition.

**Note:** The rear connection jumpers of the NL125/6's used for Channels 2,3 & 4 should be "parked" as described in the manual. In this configuration, there **MUST** be at least a single module gap between the Channel 4 NL125/6 and the NL530. This arrangement would require 7x NL951-30cm leads. The signal from Channel 1 is passed between the NL820 and NL125/6 via rear connections.